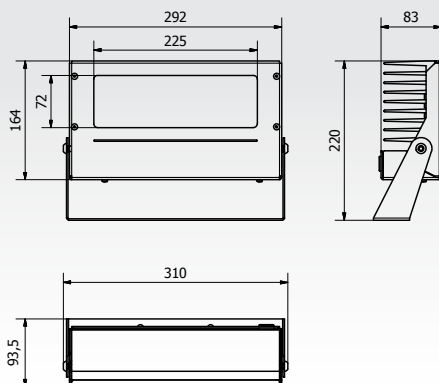


Buxus 25/50/75/125



**BUXUS 50/75/125
MAIN SPECIFICATIONS**

Applications	Industrial and outdoor lighting
Optics	00: Diffused symmetric optics; 13: Symmetric optics with 13° aperture; 25: Symmetric optics with 25° aperture; 40: Symmetric optics with 40° aperture; AS: Asymmetric optics
Colour temperature	1: Cold White 5,500K; 2: Warm White 3,000K; 8: Neutral White 4,000K
CRI and colour difference (SDCM)	Medium 75; Min. > 80 upon request Color difference among several devices: Max. 5 steps MacAdam
Photobiological compliance	Exempt Group
Insulation class	Class I
Protection rating	IP65, IK08
Cable harness	IP65 quick splice connector
Dimensions	320x220x93.5 mm
Weight	5.5 Kg

ELECTRICAL SPECIFICATIONS

Rated voltage	220-240 V 50/60 Hz
LED current	700 mA
Power factor	> 0.9 (full load)
Control technology	Power supplies with 1-10V dimming line or DALI upon request
Connection	Neoprene cable 0.3 m

700 mA

LED life expectancy (T_a -10°C to 40°C)	L90 B10 > 90,000 hr
--	---------------------

MATERIALS

Mounting	Black varnished steel brackets
Heatsink	Black anodized aluminum
Frame	Black varnished steel
Optic	Optic PMMA high temperature resistant and UV resistant for 13/25/40°/AS version
Screen	Flat glass

**INPUT POWER AND FLUX NO LENS
(T_{amb}=25°C, T_f=85°C, T_c=4000K)**

1 Buxus 50	80 W	8,971 lm
2 Buxus 75	105 W	10,790 lm
3 Buxus 125	150 W	15,580 lm

**INPUT POWER AND FLUX 13/25/40
(T_{amb}=25°C, T_f=85°C, T_c=4000K)**

1 Buxus 50	80 W	9,585 lm
2 Buxus 75	105 W	12,530 lm
3 Buxus 125	150 W	17,972 lm

**INPUT POWER AND FLUX AS
(T_{amb}=25°C, T_f=85°C, T_c=4000K)**

1 Buxus 50	80 W	8,998 lm
2 Buxus 75	105 W	11,590 lm
3 Buxus 125	150 W	16,870 lm

CODING

product code	LED colour	LED type	optic type	finishing options	model code
BUH	1	N	00	11 0 (N.a.)	1
	2	C	13		2
	8		25		3
			40		
			AS		

Product specifications may vary at any time and will be confirmed at time of order.
Values shown are calculated with +/- 5% tolerance.